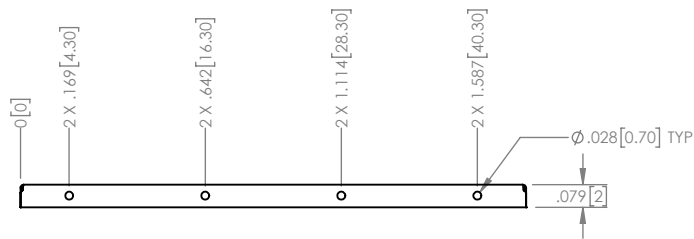
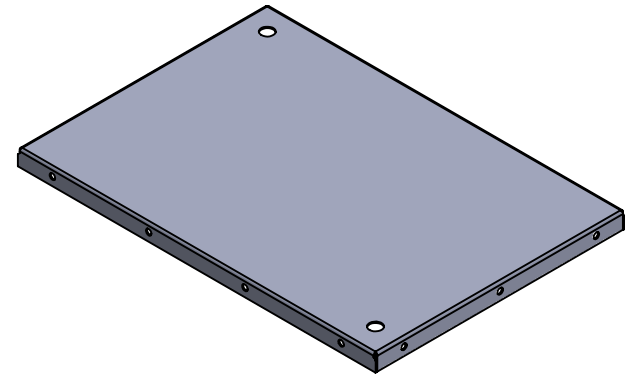
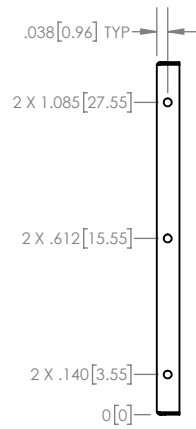
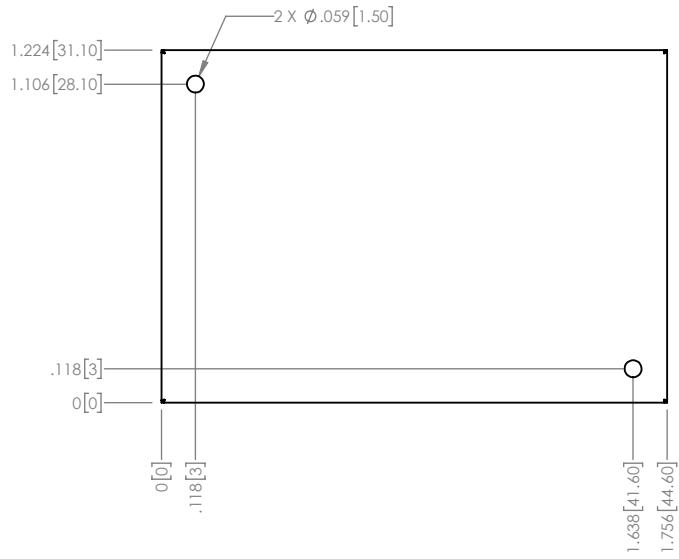


NOTES:

- MATERIAL: 0.006" TIN PLATED STEEL PER ASTM A623/A624



PROPRIETARY NOTICE: THESE DRAWINGS, LISTS OR SPECIFICATIONS ARE THE CONFIDENTIAL INFORMATION AND/OR TRADE SECRETS OF 3G SHIELDING SPECIALTIES IP, AND ISSUED IN STRICT CONFIDENCE. EXCEPT AS AUTHORIZED BY 3G SHIELDING SPECIALTIES IN WRITING, THESE DRAWINGS, LISTS OR SPECIFICATIONS SHALL NOT BE REPRODUCED, RETRANSMITTED, USED FOR THE DESIGN, MANUFACTURE OR SALE OF EQUIPMENT OR USED FOR ANY OTHER PURPOSE OTHER THAN EVALUATION.

UNLESS OTHERWISE SPECIFIED U/M INCHES TOLERANCE ± 0.005	
	ROHS COMPLIANCE 2011/65/EU
DATE	16-01-26



PART NUMBER	REV.
PIC-S-210C	0
DESCRIPTION	SHIELD COVER
SCALE	1.5:1
SHEET	1 OF 1